



Union Rubber Expansion Joints With SS Fittings

Our Product Introduction

Basic Information

- Place of Origin: CHINA
- Brand Name: DEYE
- Certification: ISO9001:2015 PED
- Model Number: DY-RJ-U01-1
- Minimum Order Quantity: 10PCS
- Price: USD2-USD25 each
- Packaging Details: carton box+ ply wooden cases or carton+ Pallets
- Delivery Time: 20 days for usual order, 7 days for stocked items
- Payment Terms: T/T, L/C, D/P
- Supply Ability: 1000pcs one month



Product Specification

- Highlight: Union Expansion Joints,
PN25 Expansion Joints, PN16 exp joint

for more products please visit us on piping-industry.com

Product Description

A Rubber Expansion Joint is a flexible unit that is manufactured from natural or synthetic elastomers or PTFE and, if necessary, a reinforcement of the bellow (steel, nylon or aramid) is added. Rubber Expansion Joints are the perfect solution for pipe systems to absorb movements, vibrations or noise, resulting in the significantly prolonged service life of the pipe work and connected equipment.

Material of main Spare Parts

Cover	EPDM, NBR, Hypalon, NR, PTFE
Reinforcing Fabric	Nylon
Tube	EPDM, NBR, Hypalon, NR, PTFE
Retain Rings	Steel
Flange	Carbon Steel, Stainless Steel, Duplex SS

Supplying Scope

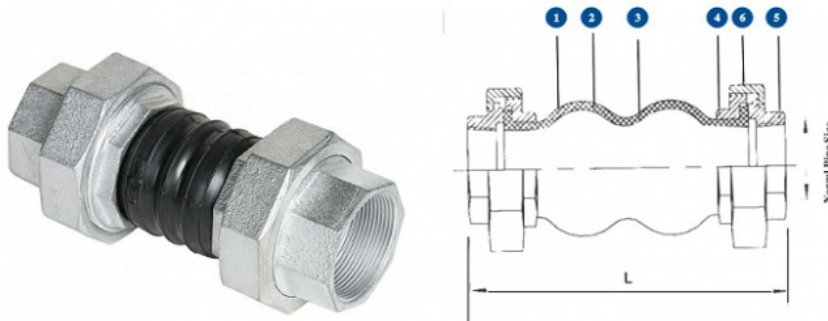
Size Range	DN50-DN800
	PN10 PN16 PN25 for rubber
Pressure Range	PN10, PN16, PN25, PN40, PN64, PN100 for metal bellow type

Design Pressure

Working Pressnre(Bar)	10	16	25
Burst pressure(Bar)	30	48	55
Vacuum(mmHg)	400	650	750

Technology/ Technical Data Sheets

Rubber joint with Union Screw



Dimension of Rubber joint with filter Fittings

Nominal Diameter		Neutral Length L	Movements			
DN	NPS		Ext.	Comp.	Lateral.	Angular.O
15	1/2	200	5-6	22	22	45°
20	3/4	200	5-6	22	22	45°
25	1	200	5-6	22	22	45°
32	1 1/4	200	5-6	22	22	45°
40	1 1/2	200	5-6	22	22	45°
50	2	200	5-6	22	22	45°
65	2 1/2	265	8-10	24	24	45°
80	3	285	8-10	24	24	45°

FEATURES

Absorb Axial movements (extension and compression)

Axial movement is the change in dimensional length of the bellows from its free length in a direction parallel to its longitudinal axis.

Absorb Lateral movements

Lateral movement is the relative displacement of one end of the bellows to the other end in a direction perpendicular to its longitudinal axis.

Absorb Angular and Torsional Movements

Angular movement is the rotational displacement of the longitudinal axis of the bellows toward a point of rotation. Torsion refers to twisting one end of the bellows with respect to the other end, about the bellows centerline.

Reduce Vibration

Rubber expansion joints isolate or reduce vibration caused by equipment. The transmission of vibration is reduced and they protect equipment from these adverse effects

Dampen Sound Transmission

Rubber expansion joints tend to dampen transmission of sound because of the steel rubber interface of joints and mating flanges.

Manual and Install Notes of the Rubber Joint

- 1, The installation of expansion joints shall be in accordance with the expansion of piping construction drawings and installation instructions requested.
- 2, Install expansion joint of the pipeline must be approx. to increase fixed by the orientation and expansion joints can be made to play a role, so orientation and fixation of the settings must be in strict accordance with the design departments of the technical information. For orientation, the principle of setting a fixed support, please see "Bellows Expansion joints Installation Guide."
- 3, With a bellows expansion joint is formed with a thin stainless steel plate, so lost in moving, hoisting and welding should be careful not to hit the period, scratch, arc, weld spatter and other reasons to bellows damage.
- 4, Should be removed before installation and piping bellows foreign body to ensure normal movement bellows.
- 5, On a flow of media requests for expansion joint should be required to install the flow arrows.
- 6, In order to make bellows in good working condition, can not install expansion joints in the deformation, including axial, lateral, turn transfer pipe installation error.
- 7, Expansion joints installed, running in the system before moving to remove all painted yellow lose a fixed screw
- 8, Fabric fiber expansion joint is not subject to the tensile displacement due to the installation to the proper conduct of the pre-compression, the pipeline can not deflection, displacement and axial extension, should be noted that flexible ring of protection against scratches, installed as soon as possible to dismantle support board, so that in normal working condition.

Application:

Oil & gas, Desalination, Cooling systems, Pumps, Chemical plants, Heating, ventilating and air conditioning, Shipbuilding, Off-shore applications, Water treatment plants
Sewage, Sanitary piping systems, Pulp and paper plants, Piping systems for chilled or hot water, Cooling systems power generation, Phosphate plants, Potable water, Food process

 **SHIJIAZHUANG DEYE PIPING INDUSTRY CO., LTD Pipefittings Department)**

 +8613292824811

 sales@deyepiping.com

 piping-industry.com

No. 368 Youyi St. Shijiazhuang, Hebei, China