



## Stainless Steel Dismantling Flexible Expansion Joints With Flange ANSI DIN UNI EN1092-1

Our Product Introduction

### Basic Information

- Place of Origin: CHINA
- Brand Name: DEYE
- Certification: ISO9001:2015 PED
- Model Number: DY-RJ-U10
- Minimum Order Quantity: 10PCS
- Price: USD2-USD25 each
- Packaging Details: carton box+ ply wooden cases or carton+ Pallets
- Delivery Time: 20 days for usual order, 7 days for stocked items
- Payment Terms: T/T, L/C, D/P
- Supply Ability: 1000pcs one month



### Product Specification

- Types: Single Sphere Type, Twin Sphere Type, Double Sphere Type, Double Ball Type, Union Fittings Type
- Rubber Material: EPDM, NBR, BUNA, Neoprene, VITON, PTFE, Hypalon
- Flange Type: HDG, Electric. Galvanized, Zinc Coated, Stainless Steel
- Rating: PN10 PN16 PN25 CL150LBS 150#
- Size: 2" (DN50MM)-144"(DN3600MM)
- Highlight: **Dismantling flexible expansion joints, Stainless Steel flexible expansion joints, ANSI flexible pipe expansion joint**

for more products please visit us on [piping-industry.com](http://piping-industry.com)

## Product Description

### STAINLESS STEEL DISMANTLING FLEXIBLE JOINTS WITH FLANGE ANSI DIN UNI EN1092-1

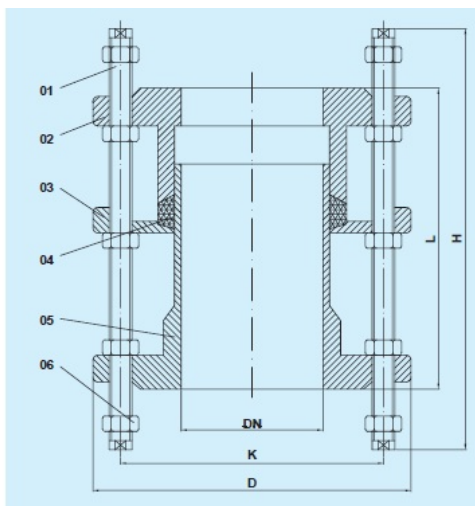
Dismantling Joint is generally a double-flanged fitting that allows longitudinal adjustment in flanged pipe systems whilst offering longitudinal restraint. They are an essential aid during the installation and removal of pipe sections and valves. Dismantling Joints play a decisive role in the design and layout of pipelines and valves. They are an essential aid during the installation and removal of pipe sections and valves. Without a dismantling joint offering longitudinal adjustment, it is almost impossible to insert a valve exactly into a pipe section.

Stainless steel dismantling joints worked together with ss valves, they are used in acid water, sea water for its High corrosion resistance.

#### Specification:

- Design Standard: Design: BSEN545 /ISO2531
- Body material: GGG50,GGG40, ductile iron, carbon steel, stainless steel 304, 316, duplex ss
- Available gasket: EPDM, NBR
- Optional Tie rods: Full bolts, half bolts
- Bolts available for stainless steel 304, stainless steel 316, steel, Dacromet Steel.
- Pressure Range: PN10, PN16, PN25
- Size Range: DN100-DN2400
- Surface: Epoxy powder coated inside and outside.

#### Technology/ Technical Data Sheets



DN	PN10					PN16					PN25				
	L	D	K	H	STUD	L	D	K	H	STUD	L	D	K	H	STUD
40	180	150	110	330	M16X4	180	150	110	330	M16X4	190	150	110	340	M16X4
50	180	165	125	330	M16X4	180	165	125	330	M16X4	200	165	125	350	M16X4
65	180	185	145	330	M16X4	180	185	145	330	M16X4	200	185	145	350	M16X8
80	200	200	160	350	M16X8	200	200	160	350	M16X8	210	200	160	360	M16X8
100	200	220	180	350	M16X8	200	220	180	350	M16X8	220	235	190	370	M20X8
125	200	250	210	350	M16X8	200	250	210	350	M16X8	220	270	220	380	M24X8
150	200	285	240	350	M20X8	200	285	240	350	M20X8	230	300	350	390	M24X8
200	220	340	295	380	M20X8	220	340	295	380	M20X12	230	360	310	400	M24X12
250	220	400	350	380	M20X12	230	400	355	400	M24X12	250	425	370	430	M27X12
300	220	455	400	390	M20X12	250	455	410	420	M24X12	250	485	430	440	M27X16
350	230	505	460	400	M20X16	260	520	470	440	M24X16	270	555	490	470	M30X16
400	230	565	515	410	M24X16	270	580	525	460	M27X16	280	620	550	490	M33X16
450	250	615	565	430	M24X20	270	640	585	470	M27X20	280	670	600	490	M33X20

500	260	670	620	450	M24X 20	280	715	650	490	M30X 20	300	730	660	520	M33X20
600	260	780	725	460	M27X 20	300	840	770	520	M33X 20	320	845	770	560	M36X20
700	260	895	840	460	M27X 24	300	910	840	520	M33X 24	340	960	875	590	M39X24
800	290	1010	950	500	M30X 24	320	1025	950	550	M36X 24	360	1085	990	630	M45X24
900	290	1115	1050	500	M30X 28	320	1125	1050	560	M36X 28	380	1185	1090	660	M45X28
1000	290	1230	1160	510	M33X 28	340	1255	1170	600	M39X 28	400	1320	1210	690	M52X28
1200	320	1455	1380	570	M36X 32	360	1485	1390	650	M45X 32	450	1530	1420	780	M52X32

#### Features and Performance:

- The simplicity and versatility of the fittings make them suitable for many applications including pumping stations, water treatment works, sewage treatment works, plant rooms, meter chambers, power generation equipment, gas distribution stations.
- Deye's Dismantling Joints are particularly suitable for simplifying the installation & removal of isolation valves, control valves, check valves, non-return valves, flow metering valves, pump sets, pressure reducing valves, flanged pipe & fittings.
- Designed and manufactured to BS EN ISO 9001: 2008 and tested to the most exacting requirements of WRAS (Water Regulatory Advisory Scheme) for use with potable water.

#### ●Full Range Sealing

For applications where a full-face flange is required. wafer and butterfly valves, the flange of the spigot piece provides a full flange sealing area.

#### ●Excellent Corrosion Protection

The flange adaptor and flange spigot are coated with WRAS approved Rilsan Nylon 11 providing excellent protection from transport, storage, site and corrosion damage. The tie bars are Zn3 Zinc Plated as standard with other coatings, grades and finishes available on request. The nuts and bolts are Sheraplex coated to WIS-4-52-03, offering long term protection against corrosion.

#### ●Ultimate Sealing Capability

The EPDM gasket is compressed independently of the tie bars with the sealing capability secured as soon as the fasteners reach required torque.

#### ●Simple to Fit

Harnessing is accommodated within the bolt circle, eliminating other complex anchoring systems and reducing space requirements.

#### Application:

Sea water, fresh water, hot and cold water, drinking water, domestic sewage, crude oil, refined oil, air, gas, etc. working together with isolation valves to reduce the vibration in the piping system.

**DEYE** SHIJIAZHUANG DEYE PIPING INDUSTRY CO., LTD Pipefittings Department)

☎ +8613292824811    ✉ sales@deyepiping.com    🌐 piping-industry.com

No. 368 Youyi St. Shijiazhuang, Hebei, China