



## EPDM Rubber Expansion Joints With Stainless Steel Flange

Our Product Introduction

### Basic Information

- Place of Origin: CHINA
- Brand Name: DEYE
- Certification: ISO9001:2015 PED
- Model Number: DY-RJ-U13
- Minimum Order Quantity: 10PCS
- Price: USD2-USD25 each
- Packaging Details: carton box+ ply wooden cases or carton+ Pallets
- Delivery Time: 20 days for usual order, 7 days for stocked items
- Payment Terms: T/T, L/C, D/P
- Supply Ability: 1000pcs one month



### Product Specification

- Types: Single Sphere Type, Twin Sphere Type, Double Sphere Type, Double Ball Type, Union Fittings Type
- Rubber Material: EPDM, NBR, BUNA, Neoprene, VITON, PTFE, Hypalon
- Flange Type: HDG, Electric. Galvanized, Zinc Coated, Stainless Steel
- Rating: PN10 PN16 PN25 CL150LBS 150#
- Size: 2" (DN50MM)-144"(DN3600MM)
- Highlight: **Nylon epdm rubber expansion joints, PTFE epdm rubber expansion joints, epdm expansion rubber joint**

for more products please visit us on [piping-industry.com](http://piping-industry.com)

## Product Description

### EPDM rubber joint for drinking Water with stainless steel flanges

Rubber expansion joints are flexible connectors for the construction of pipe systems. They relieve system strain by reducing vibration and noise and compensate static or dynamic movements caused by thermal change, load stress, pumping surges or construction settlement.

They also compensate assembling inaccuracies (misalignment during installation) and can be used as pipe insert pieces to facilitate inspections

Rubber expansion joints isolate or reduce vibration caused by equipment. The transmission of vibration is reduced and they protect equipment from these adverse effects.

Rubber expansion joint with high quality EPDM is suitable for Drinking water, has an WRAS approval. Except this it is resistant to cold and warm waste water, seawater, cooling water, water with chemical additives, low concentrated acids and alkalis, salt solutions, technical alcohols, esters and ketones. It can handle hot water and cooling water with salt solutions as well.

### Material of main Spare Parts

Cover	EPDM, NBR, Hypalon, NR, PTFE
Reinforcing Fabric	Nylon
Tube	EPDM, NBR, Hypalon, NR, PTFE
Retain Rings	Steel
Flange	Carbon Steel, Stainless Steel, Duplex SS

### Supplying Scope

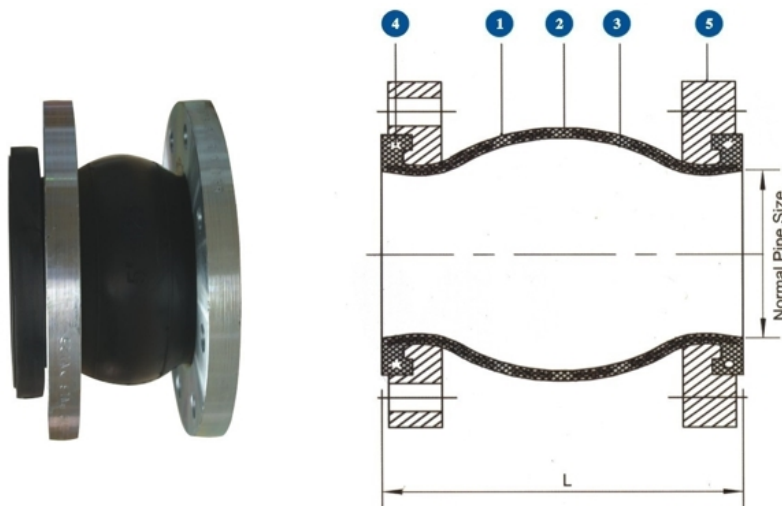
Size Range	DN50-DN800
Pressure Range	PN10 PN16 PN25 for rubber
	PN10, PN16, PN25, PN40, PN64, PN100 for metal bellow type

### Design Pressure

Working Pressnre(Bar)	10	16	25
Burst pressure(Bar)	30	48	55
Vacuam(mmHg)	400	650	750

### Technology/ Technical Data Sheets

#### Spherical Single Sphere Rubber Expansion Joint



#### Dimension for Rubber joint PN16

Nominal diameter DN		Length L(mm)	NO. of bolt n	Flange Holes Dia.	Dia. Of bolt Circle	Axial displacement (mm)		Lateral displacement	Angle of deflection
(mm)	(in)					Stretch	Compression		
32	1 1/4	95	4	17.5	100	6	9	9	15°
40	1 1/2	95	4	17.5	110	6	10	9	15°
50	2	105	4	17.5	125	7	10	10	15°

65	21/2	115		4	17.5	145	7	13	11	15°
80	3	135	130	8	17.5	160	8	15	12	15°
100	4	150	135	8	17.5	180	10	19	13	15°
125	5	165	160	8	17.5	210	12	19	14	15°
150	6	180	185	8	22	240	12	20	22	15°
200	8	190	200	8	22	295	16	25	22	15°
250	10	230	240	12	22	350	16	25	22	15°
300	12	245	260	12	22	400	16	25	22	15°
350	14	265		16	26	460	16	25	22	15°
400	16	265		16	26	515	16	25	22	15°
450	18	265		20	26	565	16	25	22	15°
500	20	265		20	30	620	16	25	22	15°
600	24	265		20	26	725	16	25	22	15°
700	28	260		24	30	810	16	25	22	10°
800	32	260		24	30	920	16	25	22	10 <sup>u</sup>
900	36	260		24	30	1020	16	25	22	10 <sup>w</sup>
1000	40	260		28	30	1120	16	25	22	10°

#### Dimension of Rubber joint 150LBS

Nominal diameter DN	Length L(mm)		b	NO.of bolt	Dia. Of Flange holes	Dia. Of Bolt Circle. PCD	Axial displacement		Lateral displacement	Angle of deflection	
	(mm)(in)	L1					L2	(mm)			stretch
25	1	152	130	14	4	16	79.4	+9.5	13	±13	±15°
32	1 1/4	152	130	16	4	16	89	+9.5	13	±13	±15°
40	1-1/2	152	130	16	4	16	98.5	+9.5	-13	±13	±15°
50	2	152	130	16	4	19	121	+9.5	13	±13	±15°
65	2-1/2	152	130	18	4	19	139.5	+9.5	-13	±13	±15°
80	3	152	130	18	4	19	153	+9.5	-13	±13	±15°
100	4	152	130	18	8	19	190	+9.5	16	±13	±15°
125	5	152	130	20	8	22.5	216	+9.5	-16	±13	±15°
150	6	152	130	22	8	22.5	242	+9.5	-16	±13	±15°
200	8	152	130	22	8	22.5	298	+9.5	-16	±13	±15°
250	10	203	130	24	12	25.5	362	+13	16	±19	±15°
300	12	203	130	24	12	25.5	432	+13	19	±19	±15°
350	14	203	200	26	12	28.5	476	+13	-19	±19	±15°
400	16	203	200	28	16	28.5	540	+13	-19	±19	±15°
450	18	203	200	30	16	32	578	+13	-19	±19	±15°
500	20	203	200	30	20	32	634	+13	-19	±19	±15°
600	24	254	260	32	20	35	749.5	+13	-19	±19	±15°
800	32	254	260	36	24	30	920	+13	-19	±19	±15°

#### FEATURES

##### Absorb Axial movements (extension and compression).

Axial movement is the change in dimensional length of the bellows from its free length in a direction parallel to its longitudinal axis.

##### Absorb Lateral movements.

Lateral movement is the relative displacement of one end of the bellows to the other end in a direction perpendicular to its longitudinal axis.

##### Absorb Angular and Torsional Movements.

Angular movement is the rotational displacement of the longitudinal axis of the bellows toward a point of rotation. Torsion refers to twisting one end of the bellows with respect to the other end, about the bellows centerline.

##### Reduce Vibration.

Rubber expansion joints isolate or reduce vibration caused by equipment. The transmission of vibration is reduced and they protect equipment from these adverse effects

##### Dampen Sound Transmission.

Rubber expansion joints tend to dampen transmission of sound because of the steel rubber interface of joints and mating flanges.

#### Manual and Install Notes of the Rubber Joint

- 1, The installation of expansion joints shall be in accordance with the expansion of piping construction drawings and installation instructions requested
- 2, Install expansion joint of the pipeline must be approx. to increase fixed by the orientation and expansion joints can be made to play a role, so orientation and fixation of the settings must be in strict accordance with the design

departments of the technical information. For orientation, the principle of setting a fixed support, please see "Bellows Expansion joints Installation Guide."

3, With a bellows expansion joint is formed with a thin stainless steel plate, so lost in moving, hoisting and welding should be careful not to hit the period, scratch, arc,weld spatter and other reasons to bellows damage

4, Should be removed before installation and piping bellows foreign body to ensure normal movement bellows

5, On a flow of media requests for expansion joint should be required to install the flow arrows

6, In order to make bellows in good working condition,can not install expansion joints in the deformation, including axial, lateral, turn transfer pipe installation error

7, Expansion joints installed, running in the system before moving to remove all painted yellow lose a fixed screw

8, Fabric fiber expansion joint is not subject to the tensile displacement due to the installation to the proper conduct of the pre-compression, the pipeline can not deflection, displacement and axial extension, should be noted that flexible ring of protection against scratches, installed as soon as possible to dismantle support board, so that in normal working condition

#### **Application:**

Oil & gas, Desalination, Cooling systems, Pumps, Chemical plants, Heating, ventilating and air conditioning, Shipbuilding, Off-shore applications, Water treatment plants

Sewage, Sanitary piping systems, Pulp and paper plants, Piping systems for chilled or hot water, Cooling systems power generation, Phosphate plants, Potable water, Food process



**SHIJIAZHUANG DEYE PIPING INDUSTRY CO., LTD Pipefittings Department)**



+8613292824811



sales@deyepiping.com



piping-industry.com

No. 368 Youyi St. Shijiazhuang, Hebei, China