



Threaded Stainless Steel Screwed unions For metal conical Seal

Our Product Introduction

Basic Information

- Place of Origin: China
- Brand Name: DEYE
- Certification: ISO9001:2015 PED
- Model Number: STH-TH-3
- Minimum Order Quantity: 10pcs
- Price: USD0.5-USD50 for each pc
- Packaging Details: Cartons+Ply-wooden cases, Pallets
- Delivery Time: 7 days for stock items
- Payment Terms: T/T, L/C, D/P
- Supply Ability: 1000000PCS one month



Product Specification

- Highlight: **Threaded stainless steel screwed fittings,
8in stainless steel screwed fittings,
3in stainless threaded fittings**

for more products please visit us on piping-industry.com

Product Description

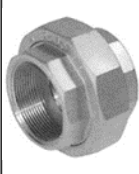
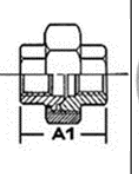

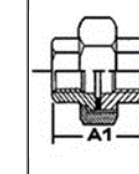
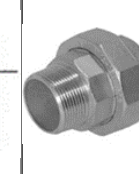
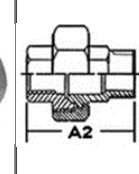
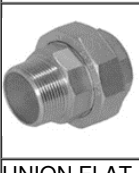
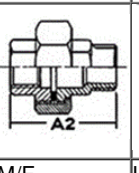

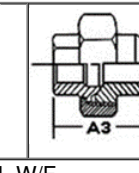
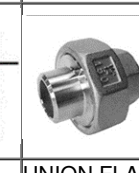
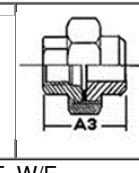
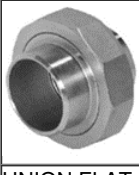
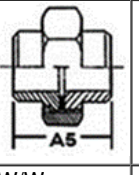
STAINLESS STEEL SCREWED THREADED PIPE FITTINGS FOR UNION

A union is a threaded fitting which allows the pipe work to be separated and reconnected without any horizontal movement in the pipe. It can be a standalone pipe fitting connecting two pieces of pipe, or an integral part of another fitting (such as a ball valve) which allows it to be separated. The Union with two seal types, Union with soft seal PTFE gasket and union with metal conical seated. Customer can choose the Union types as per working environment.

Product Information/Product Description/Basis Information/Specification

Description	Stainless steel threaded NPT BSPT Fittings for union Connectors
Product name	threaded NPT BSPT 150PSI Elbows, Reducers, Coupling, Plug, Bushing, Union, Tee, cross, caps Stainless Steel Screwed Pipe Fittings Threaded Pipe Fittings Union, Hex Nipple, bushing, reducer socket, 45 90 degree elbow, Square Head plug, coupling, Y pipe joints tee
Size	1/2" 3/4" 1" 1-1/4" 1-1/2" 2" 2-1/2" 3" 4" 5" 6" 8"
Gasket	NBR, FKM
Thread	BSPT, BSPP, NPT, PS, DIN
Material	stainless steel 201, 202, stainless steel 304, stainless steel 316
Casting Method	Investment precision casting, CNC machine
Application	Oil, Water, Industrial, Chemical
Test pressure	Usually 150PSI
Package	pcs/polybag, polybag/carton, cartons/pallet or according to your requirement
Advantages	1. OEM and Customized service can be provided 2. With experience, quality guaranteed 3. Approved by ISO9001:2015 4. With independent open mold capacity, OEM supposed

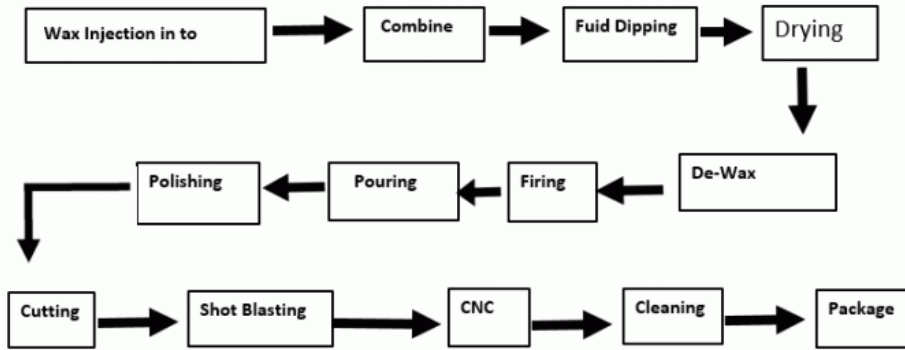
Technology/ Technical Data Sheets

					
UNION CONICAL, F/F	UNION FLAT, F/F	UNION CONICAL, M/F	UNION FLAT, M/F	UNION CONICAL, W/F	UNION FLAT, W/F
					
UNION CONICAL, W/M	UNION FLAT, W/M	UNION CONICAL, W/W	UNION FLAT, W/W	UNION CONICAL, W/W	UNION FLAT, W/W
					
UNION FLAT, W/W					

SIZE	A1	A2	A3	A4	A5
1/8"	31	-	-	-	-
1/4"	34	53	38	38	52
3/8"	39	57	38	38	50
1/2"	36.5	50.5	44	44	55
3/4"	42	57	46	46	62
1"	45.5	63	48	48	65

1-1/4"	52	70.5	53	53	74
1-1/2"	55	74.5	63	63	86
2"	61	83.5	69	69	92
2-1/2"	70	96	87	87	115
3"	78	106.4	89	89	123
4"	90	-	-	-	-

Production Process



Common used Material Grade

SS316 Chemical Composition

ASTM A351 CF8M, SS316 Chemical Composition in %

	C	Mn	P	S	Si	Ni	Cr	Mo
Min.						9.0	18.0	2.00
Max.	0.080	1.500	0.040	0.040	1.500	12.0	21.0	3.00

SS316 Mechanical Properties of the Fittings at room temperature

SS316/S316L	Tensile Strength Rm (N/mm ²)	Upper Yield Point ReH (N/mm ²) min.	Elongation at rupture A5 (%) min.	Hardness Test (HRB)
Min.	485	205	30	
Max.				80

SS304 Chemical Composition

ASTM A351 CF8, SS304 Chemical Composition in %

	C	Mn	P	S	Si	Ni	Cr	Mo
Min.						8.0	18.0	
Max.	0.080	1.500	0.040	0.040	2.000	11.0	21.0	0.50

SS304 Mechanical Properties of the Fittings at room temperature

SS304/S304L	Tensile Strength Rm (N/mm ²)	Upper Yield Point ReH (N/mm ²) min.	Elongation at rupture A5 (%) min.	Hardness Test (HRB)
Min.	485	205	35	
Max.				

Application/ Usage:

Threaded pipe fittings are commonly used in Water gas pipes, small diameter water pipes, compressed air pipes and low-pressure steam pipes.

DEYE SHIJIAZHUANG DEYE PIPING INDUSTRY CO., LTD Pipefittings Department

+8613292824811 sales@deyepiping.com piping-industry.com

No. 368 Youyi St. Shijiazhuang, Hebei, China