



barrier Type Cast Iron Diaphragm Valve With Flange Ends

Our Product Introduction

Basic Information

- Place of Origin: CHINA
- Brand Name: DEYE
- Certification: ISO9001:2015 PED
- Model Number: DPH-WR-20016
- Minimum Order Quantity: 10 PCS
- Price: USD15-USD20000 EACH
- Packaging Details: carton box+ ply wooden cases or carton+ Pallets
- Delivery Time: 20 days for usual order, 7 days for stocked items
- Payment Terms: T/T, L/C, D/P
- Supply Ability: 1000pcs one month



Product Specification

- Valve Body Material: Cast Iron /Carbon Steel/ Stainless Steel/Inconel
- Highlight: **Cast Iron diaphragm valve, barrier Type diaphragm valve, Cast Iron diaphragm control valve**

for more products please visit us on piping-industry.com

Product Description

barrier Type Cast Iron Diaphragm Valve With Flange Ends

Description

PN10 PN16 Cast Iron barrier type Diaphragm Valve, suitable for general corrosive fluid
Body: cast Iron /Carbon steel/ Stainless steel/Inconel
Lined Material: Rubber lined / PTFE lined.
Shaft: Stainless steel
Diaphragm: EPDM /PTFE
Size Range: DN25-DN400

There are two main categories of diaphragm valves: one type seals over a "barrier" (saddle) and the other (sometimes called a "full bore or straight-through" valve) seals over a seat. In general, straight-through diaphragm valves are used in on-off applications and barrier-type diaphragm valves are used for control or throttling applications. While diaphragm valves usually come in two-port forms (2/2-way diaphragm valve), they can also come with three ports (3/2-way diaphragm valves also called T-valves) and more (so called block-valves). When more than three ports are included, they generally require more than one diaphragm seat; however, special dual actuators can handle more ports with one membrane.

Performance:

1. Wide temperature range: -20°C-450°C
2. Excellent strength and toughness
3. Excellent chemical resistance
4. Flame retardant performance is self-extinguishing
5. low thermal conductivity, about 1/200 of steel
6. medium heavy ion content reaches ultrapure water standard
7. Health indicators meet the requirements of national health standards
8. The inner wall of the valve is smooth and smooth, and has small frictional resistance and adhesion when conveying fluid.
9. Easy to install, can be used for bonding. Thread. Flange and other ways to connect.
10. Excellent aging and UV resistance, which makes the normal service life much longer than other valve systems. As a new type of material, CPVC material has excellent corrosion resistance. It has been widely used in steel, metallurgy, petroleum, chemical, fertilizer, dye, pharmaceutical, electric power, environmental protection and sewage treatment industries in recent years. It is an metal anticorrosive material. The ideal alternative.

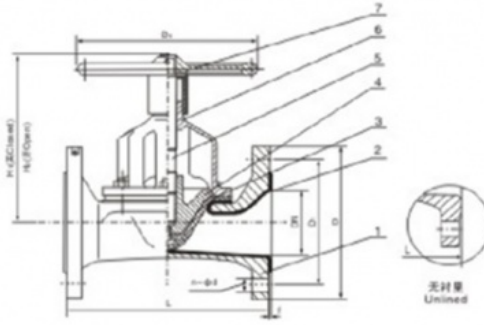
DESCRIPTION

1. Working pressure:
DN50-DN125: 1.0Mpa
DN150-DN200: 0.6Mpa
DN250-DN300: 0.4Mpa
2. Working temperature:
NR: -20 +60
3. Face to face: EN588-1
4. Flange connection according to EN1092-2, BS4504 ect.
5. Testing: DIN3230, API598
6. Medium: Cement, Clay, Cinder, Granular Fertilizer, Solid fluid, Fresh Water, Sea Water, Inorganic acid and Alkaline Liquid etc.

Straight-through diaphragm valve

部件列表 Component list

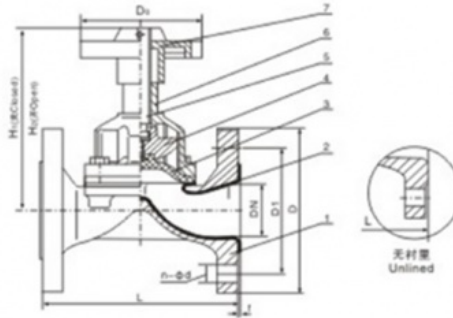
序号 NO.	名称 Name
1	阀体 Body
2	阀体衬里 Body lining
3	隔膜 Diaphragm
4	阀瓣 Disc
5	阀杆 Stem
6	阀盖 Bonnet
7	手轮 Handwheel



Weir type diaphragm valve

部件列表 Component list

序号 NO.	名称 Name
1	阀体 Body
2	阀体衬里 Body lining
3	隔膜 Diaphragm
4	阀瓣 Disc
5	阀杆 Stem
6	阀盖 Bonnet
7	手轮 Handwheel



Application:

Diaphragm Valves are ideally suited for:

Corrosive applications, where the body and diaphragm materials can be chosen for chemical compatibility. (E.G. Acids, Bases etc.)

Abrasive applications, where the body lining can be designed to withstand abrasion and the diaphragm can be easily replaced once worn out

Solids entrained liquids, since the diaphragm can seal around any entrained solids and provide positive seal

Slurries, since the diaphragm can seal around entrained solids and provide positive seal

DEYE SHIJIAZHUANG DEYE PIPING INDUSTRY CO., LTD Pipefittings Department



+8613292824811



sales@deyepiping.com



pipings-industry.com

No. 368 Youyi St. Shijiazhuang, Hebei, China